



GENERATOR TYPE ECP 34-1L/4

Dedicated Winding

Document : DS263A/1

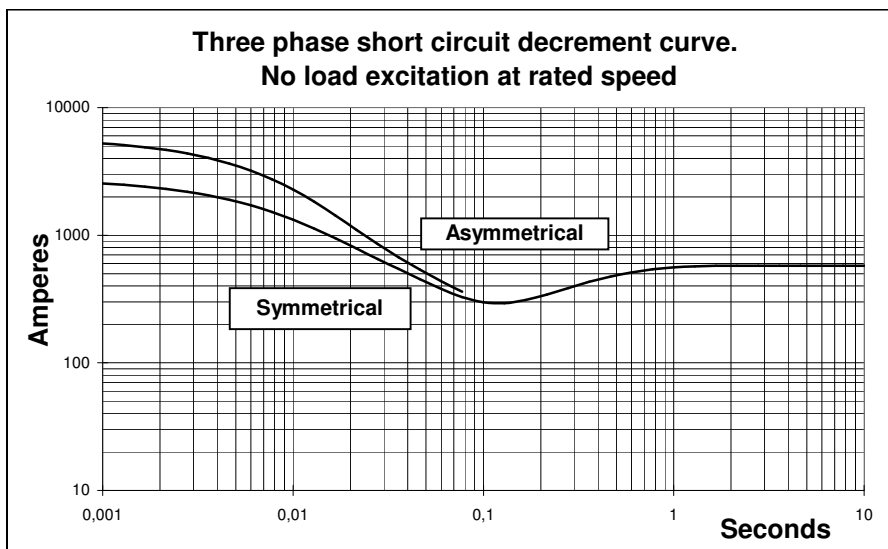
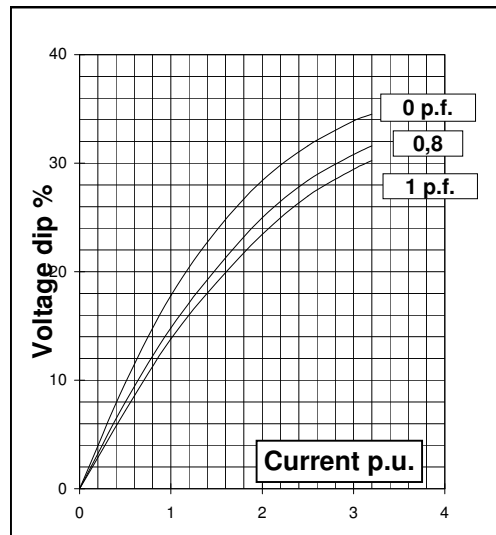
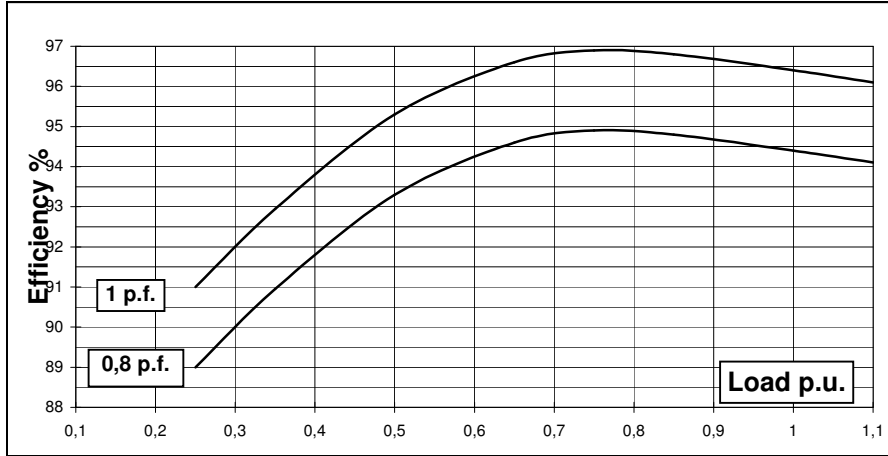
issue 000 date 21/06/2013

Electrical Characteristics			
Frequency	Hz		60
Voltage (parallel star)	V		600
Rated power class H	kVA		156
	kW		125
Rated power class F	kVA		141
	kW		113
Regulation with	DSR		±1% with any power factor and speed variations between -5% +30%
Insulation class			H
Execution			Brushless
Stator winding			12 ends
Rotor			with damping cage
Efficiencies class H	4/4	%	94,4
(see graph. for details)	3/4	%	94,9
	2/4	%	93,3
	1/4	%	89
Reactances (f. l.cl. F)			
	Xd	%	214
	Xd'	%	17,2
	Xd''	%	6,8
	Xq	%	147,6
	Xq'	%	147,6
	Xq''	%	29,9
	X ₂	%	18,5
	X ₀	%	2,9
Short Circuit Ratio	Kcc		0,49
Time Constants	Td'	sec.	0,0372
	Td''	sec.	0,0076
	Tdo'	sec.	1,80
	Tα	sec.	0,0163
Short Circuit Current Capacity		%	>350
Excitation at no load	Amp.		0,5
Excitation at full load	Amp.		2,4
Overload (long-term)		%	1 hour in a 6 hours period 110% rated load
Overload per 20 sec.		%	300
Stator Winding Resistance (20 °C)	Ω		0,018
Rotor Winding Resistance (20 °C)	Ω		3,165
Exciter Resistance (20 °C)	Ω		Rotor : 0,410 Stator : 15,28
Heat dissipation at f.l.cl.H	W		7403
Telephone Interference			THF < 2% TIF < 40
Radio interference			EN61000-6-3, EN61000-6-1. For others standards apply to factory
Waveform Distors.(THD) at f. load	LL/LN %		1,8 / 1,9
Waveform Distors.(THD) at no load	LL/LN %		2,4 / 2,5
Mechanical characteristics			
Protection			IP 21 (other protection on request)
DE bearing			6314.2RS
NDE bearing			6311.2RS
Weight of wound stator assembly	kg		142
Weight of wound rotor assembly	kg		90
Weight of complete generator	kg		445
Maximun overspeed	rpm		2250
Unbalanced magnetic pull at f.l.cl.F	kN/mm		5,4
Cooling air requirement	m³/min		23
Inertia Constant (H)	sec.		0,122
Noise level at 1m/7m	dB(A)		83 / 69

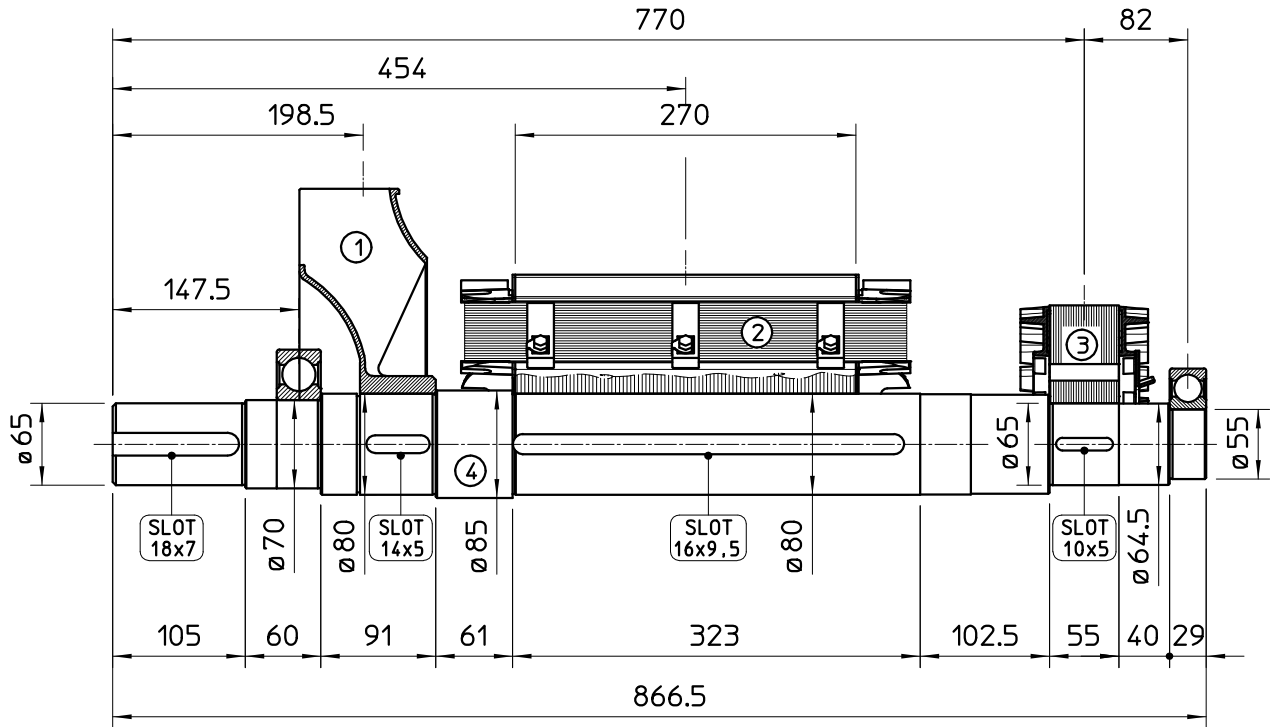
All technical data are to be considered as a reference and they can be modified without any notice.

This document is a propriety of Mecc Alte S.p.A.. All rights reserved.

600V - 60z

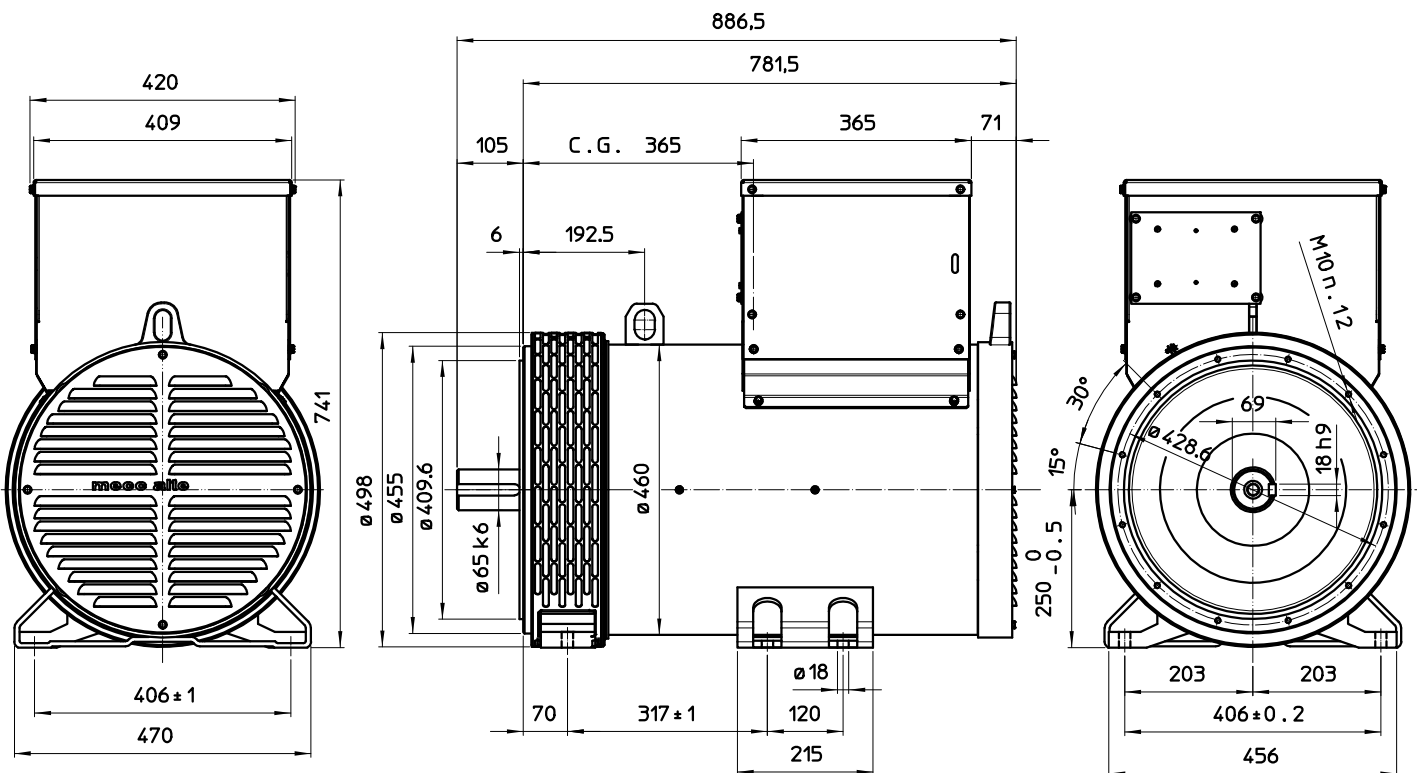


TWO BEARING MOMENTS OF INERTIA



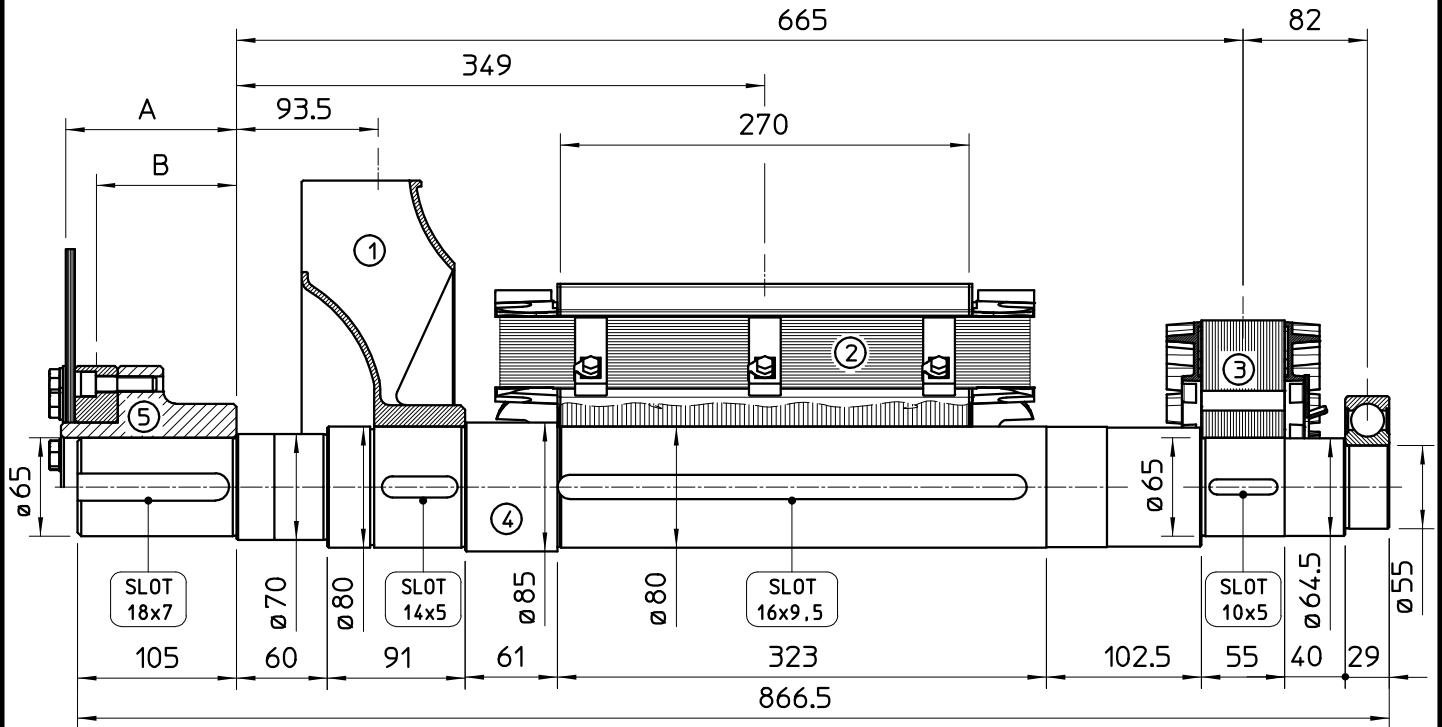
POS.	COMPONENT	WEIGHT (kg)	J (kgm ²)
1	FAN	3.3	0.0451
2	MAIN ROTOR	93	0.8380
3	EX. ROTOR	14.5	0.0874
4	SHAFT	29.6	0.0218
TOTAL		140.4	0.9923

TWO BEARING DIMENSIONS



C.G.= GRAVITY CENTER

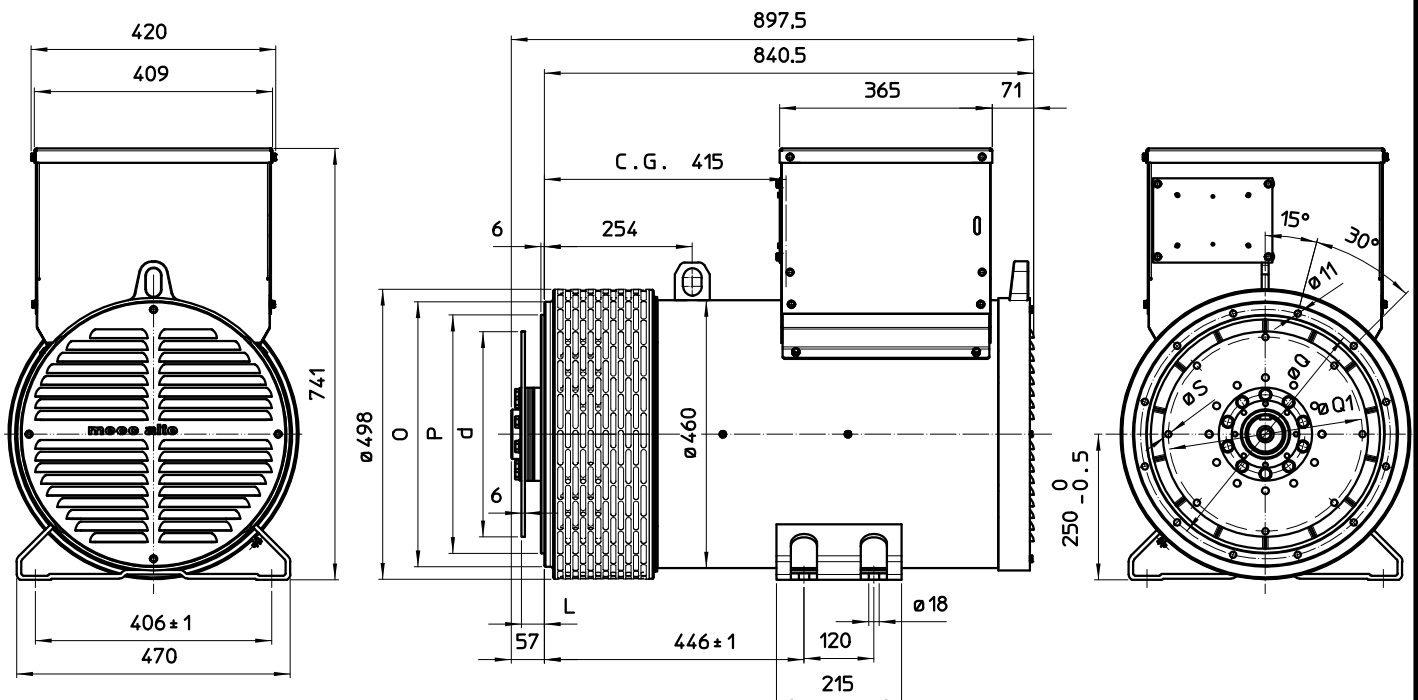
SINGLE BEARING MOMENTS OF INERTIA



POS.	COMPONENT	WEIGHT (kg)	J (kgm ²)
1	FAN	3.3	0.0451
2	MAIN ROTOR	93	0.8380
3	EX. ROTOR	14.5	0.0874
4	SHAFT	29.6	0.0218
TOTAL		140.4	0.9923

SAE N°	SHAFTS COUPLING FLEX PLATE			
	A	B	WEIGHT kg	J kgm ²
10	112.8	35.6	13.5	0.0770
11 1/2	98.6	71.5	12.4	0.0956
14	84.4	68.6	14.8	0.2360

SINGLE BEARING DIMENSIONS



SAE N.	GIUNTI A DISCHI DISC COUPLING DISQUE DE MONOPALIER SCHEIBENKUPPLUNG				
	L	d	Q1	N. fori	S
10	53,8	314,32	295,27	8	11
11 1/2	39,6	352,42	333,37	8	11
14	25,4	466,72	438,15	8	14

SAE N.	FLANGIA/FLANGE BRIDE/FLANSCH			
	O	P	Q	N. fori
3	451	409,6	428,6	12
2	489	447,7	466,7	12
1	552	511,2	530,2	12

C.G.= GRAVITY CENTER