



# GENERATOR TYPE HCO 38-1L/24

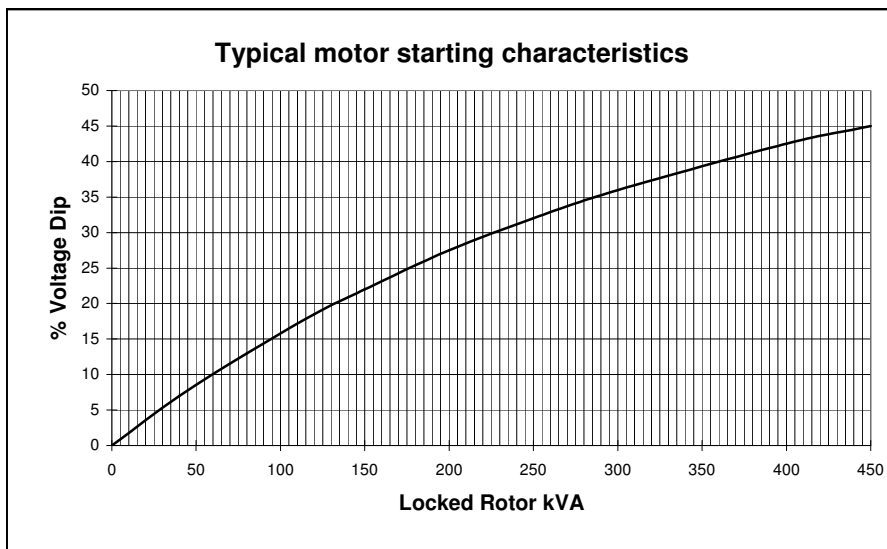
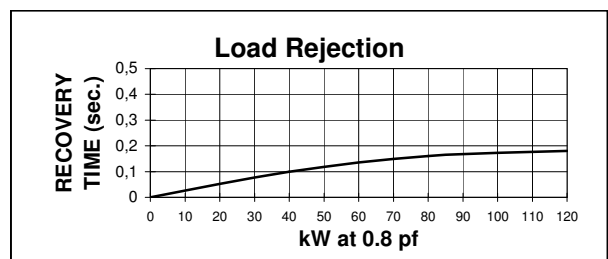
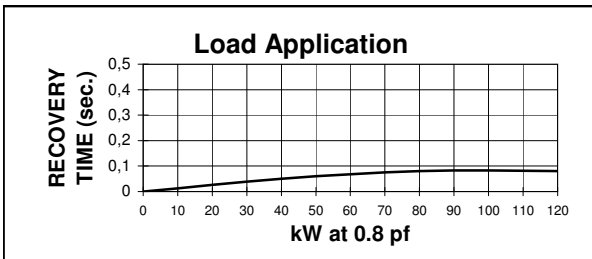
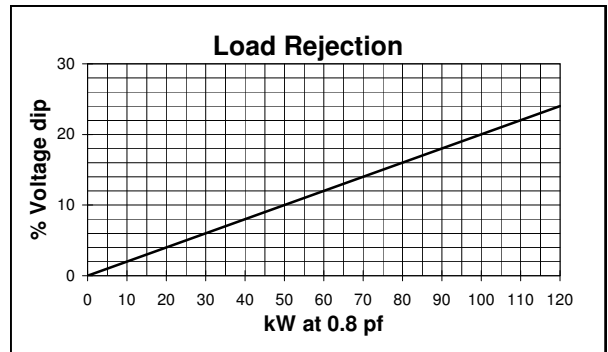
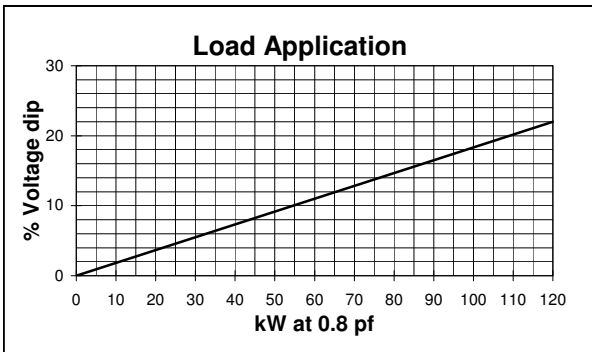
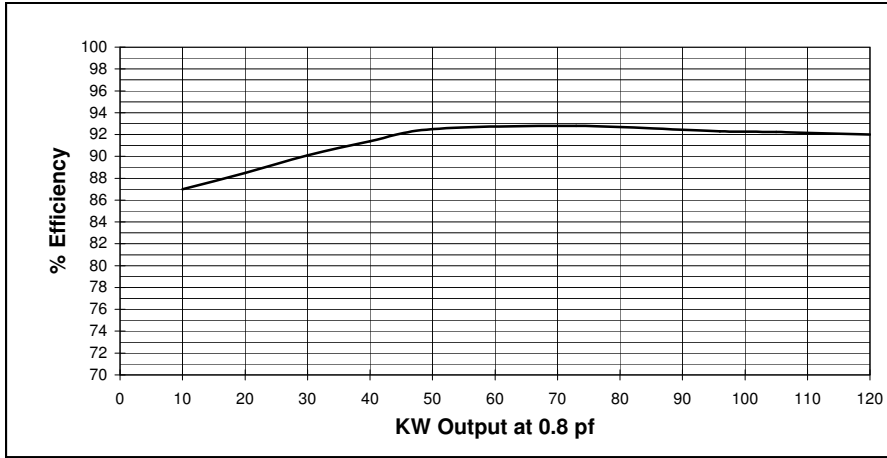
Document : DS198A/1  
issue 001 date 10/04/2012

<b>Electrical Characteristics</b>			
Frequency	Hz		400
Voltage (star)	V		208
Rated power class H (125 °C)	kVA		150
	kW		120
Rated power class F (105 °C)	kVA		135
	kW		108
Rated power class B (80 °C)	kVA		120
	kW		96
Regulation with	UVR6/1-H400B	±1% with any power factor and speed variations between -5% +30%	
Insulation class		H	
Execution		Brushless	
Stator winding		12 ends	
<b>Submittal Data : 208V, 120KVA, 2000RPM, 400Hz, 3 Phase</b>			<b>MIL-STD-705B</b>
Efficiencies	4/4	%	92,3
(see graph. for details)	3/4	%	92,5
	2/4	%	90,1
	1/4	%	87
Reactances	Xd	p.u.	1,82
	Xd'	p.u.	0,21
	Xd''	p.u.	0,13
	Xq	p.u.	1,25
	Xq'	p.u.	1,25
	Xq''	p.u.	0,27
	X <sub>2</sub>	p.u.	0,16
	X <sub>0</sub>	p.u.	0,07
Short Circuit Ratio	Kcc		0,40
Time Constants	Td'	sec.	0,035
	Td''	sec.	0,011
	Tdo'	sec.	0,160
	Tα	sec.	0,13
Short Circuit Current Capacity		%	>300
Excitation at no load		Amp.	1
Excitation at full load		Amp.	2,3
Overload (long-term)		%	1 hour in a 6 hours period 110% rated load
Overload per 20 sec.		%	300
Stator Winding Resistance (20 °C)		Ω	0,00239
Rotor Winding Resistance (20 °C)		Ω	5,30
Exciter Resistance (20 °C)		Ω	Rotor : 0,682 Stator : 14,40
Heat dissipation		W	10011
Telephone Interference			FHT < 2% ; TIF < 100
Radio interference			EN61000-6-3 EN61000-6-1. For others standards apply to factory
Waveform Distors.(THD) at f. load		% LL	1,4
Individual harmonic max. at f. load		% LL	1,2
Insulation resistance		MΩ	> 2
High Potential Test		Volts	Main Stator : 2000 Main Rotor : 1500
		Volts	Exciter Stator : 1500 Exciter Rotor : 1500
Phase sequence			1 - 5 - 9
<b>Mechanical characteristics</b>			
Protection			IP 21 (other protection on request)
DE bearing			6318.2RS
NDE bearing			6314.2RS
Weight of complete generator		kg	775
Synchronous Speed		rpm	2000
Maximun overspeed		rpm	2500
Cooling air requirement		m <sup>3</sup> /min	41,5
Noise level at 1m/7m		dB(A)	87,5 / 74,5

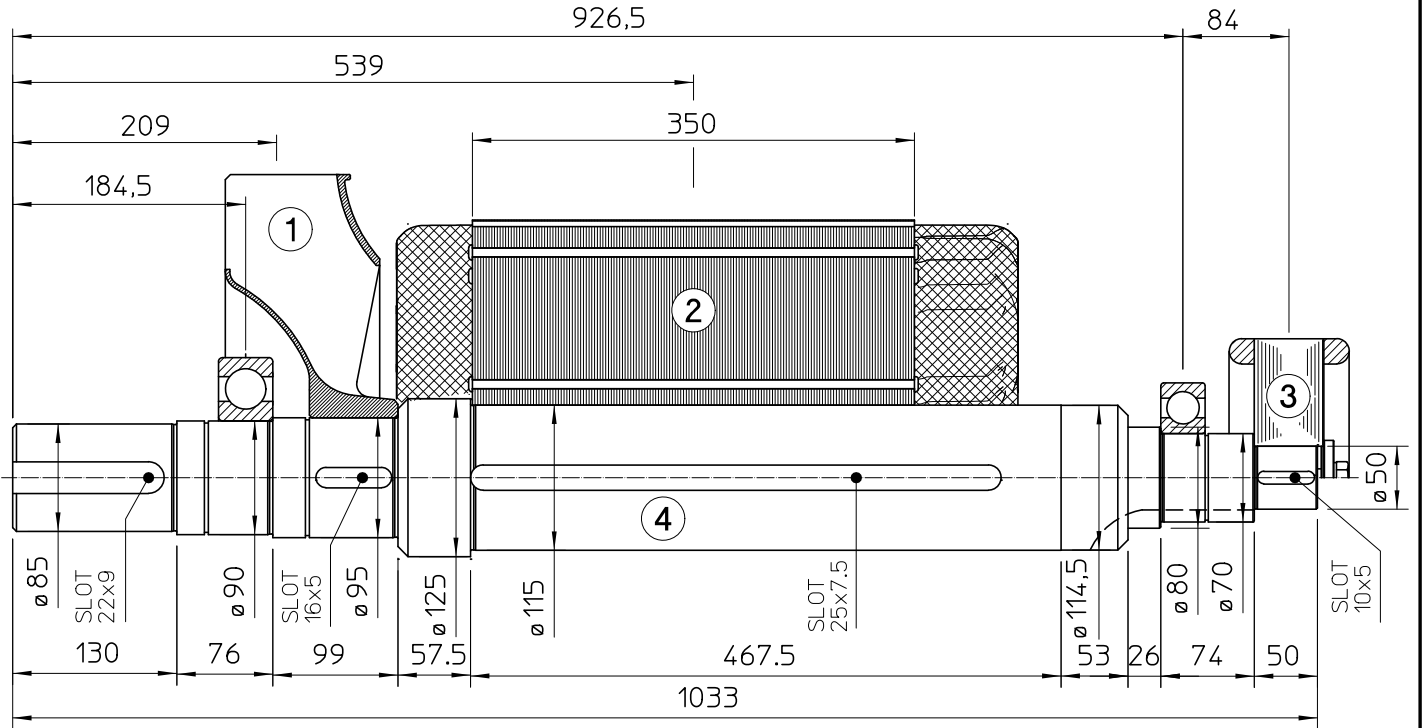
All technical data are to be considered as a reference and they can be modified without any notice.

This document is a propriety of Mecc Alte S.p.a..All rights reserved.

208V - 400Hz

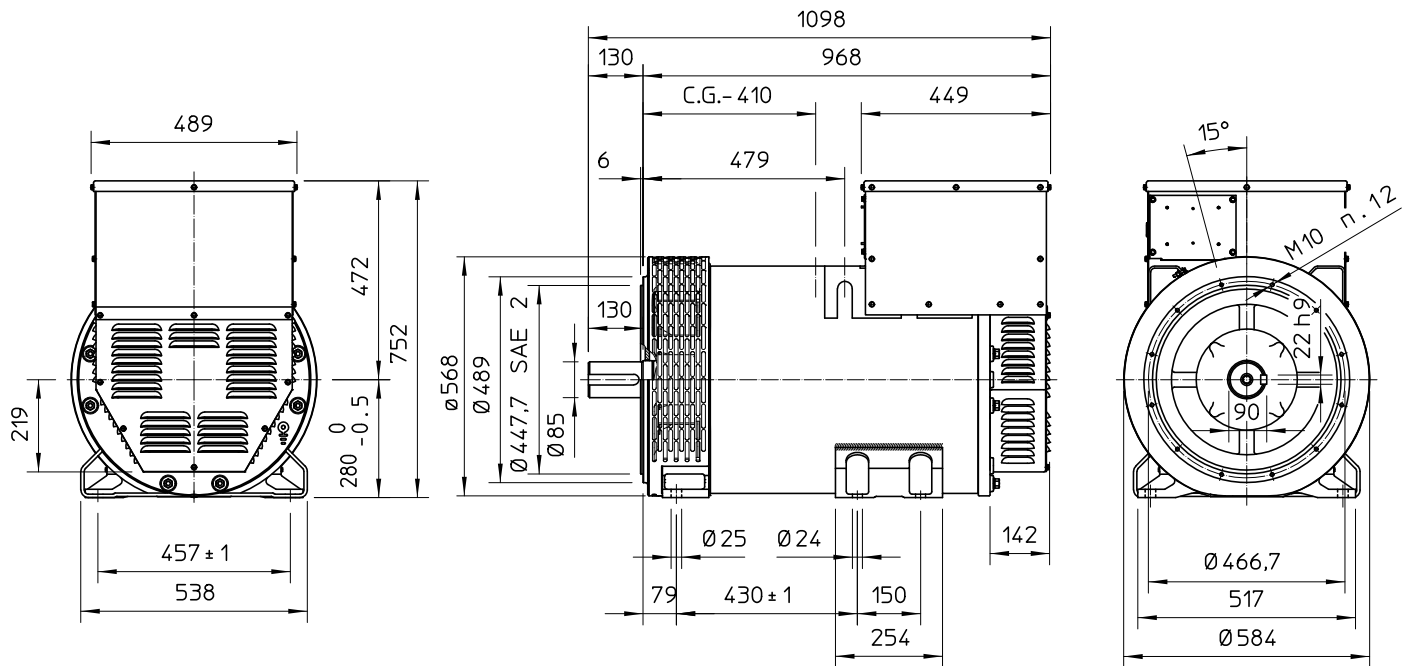


TWO BEARING MOMENTS OF INERTIA



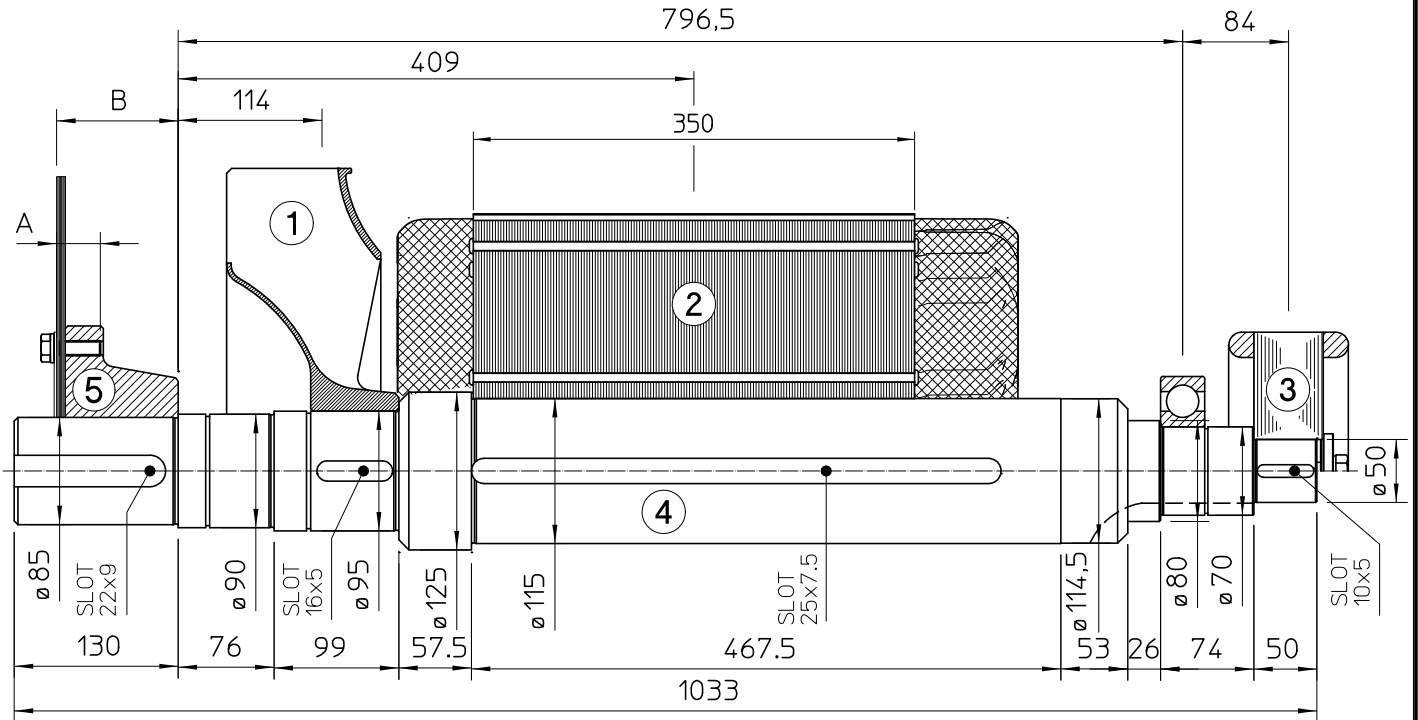
POS.	COMPONENT	WEIGHT (kg)	J (kgm <sup>2</sup> )
1	FAN	6.1	0.1887
2	MAIN ROTOR	300.8	6.9684
3	EX. ROTOR	14.5	0.0874
4	SHAFT	66.3	0.0962
TOTAL		387.7	7.3407

TWO BEARING DIMENSIONS



C.G.= GRAVITY CENTER

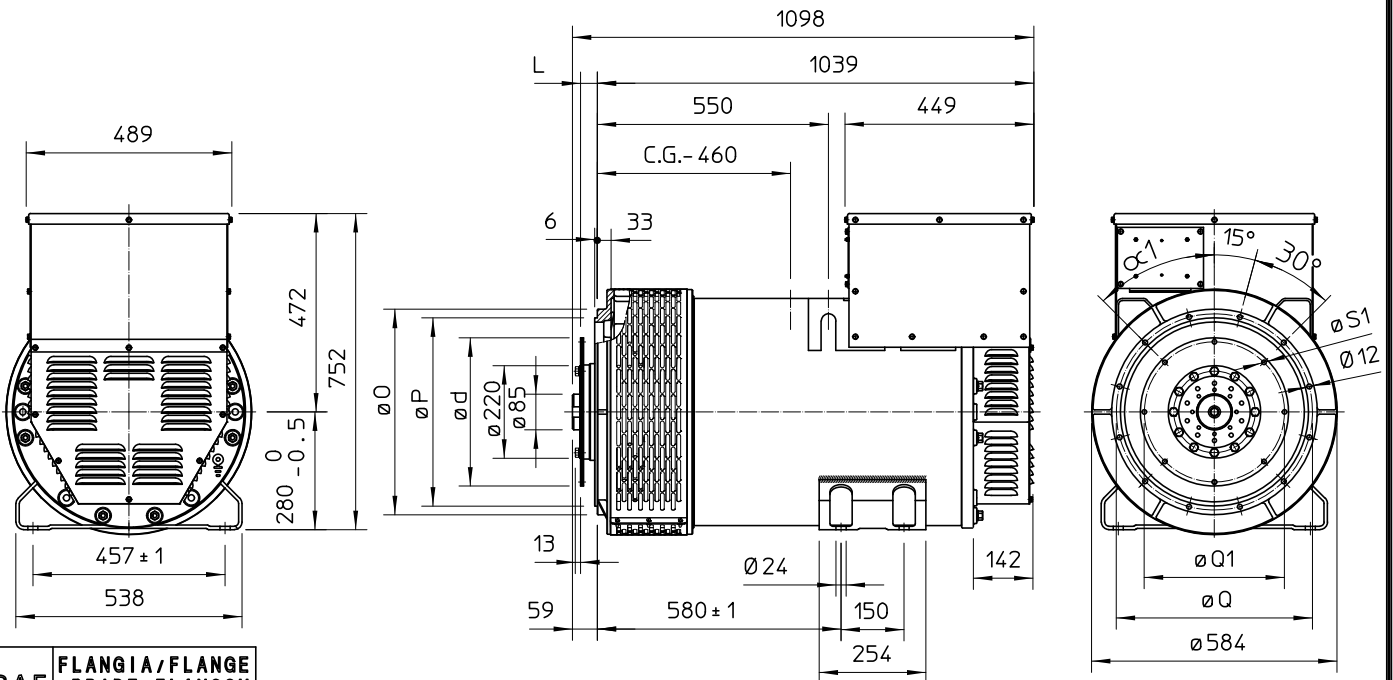
### SINGLE BEARING MOMENTS OF INERTIA



POS.	COMPONENT	WEIGHT (kg)	J (kgm <sup>2</sup> )
1	FAN	6.1	0.1887
2	MAIN ROTOR	300.8	6.9684
3	EX. ROTOR	14.5	0.0874
4	SHAFT	66.3	0.0962
TOTAL		387.7	7.3407

SAE N°	SHAFTS COUPLING FLEX PLATE			
	A	B	WEIGHT kg	J kgm <sup>2</sup>
5	41.1	110.4	20.5	0.174
14	34.7	96.4	23.5	0.275

### SINGLE BEARING DIMENSIONS



SAE N.	FLANGIA/FLANGE BRIDE/FLANSCH		
	O	P	Q
3	451	409,6	428,6
2	489	447,7	466,7
1	552	511,2	530,2
1/2	648	584,2	619,1

SAE N.	GIUNTI A DISCHI DISC COUPLING DISQUE DE MONOPALIER SCHEIBENKUPPLUNG					
	L	d	Q1	n. fori	S1	α1
11 1/2	39,6	352,42	333,37	8	11	45°
14	25,4	466,72	438,15	8	14	45°

C.G.= GRAVITY CENTER