



GENERATOR TYPE HCO 38-2L/24

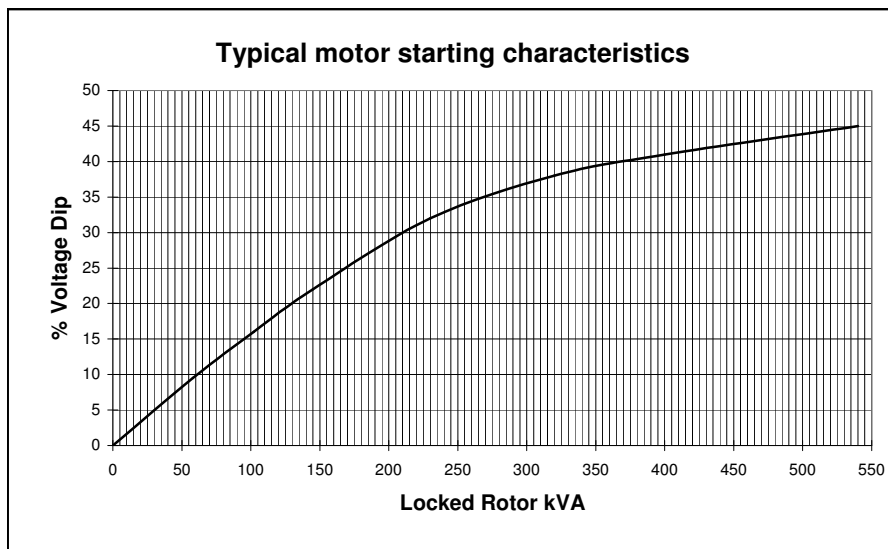
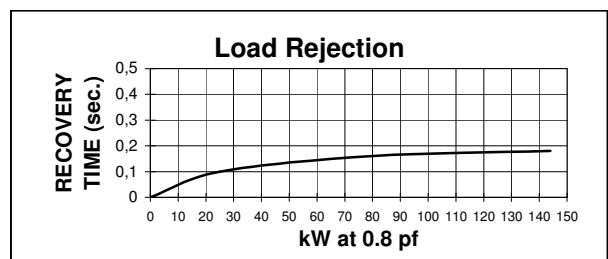
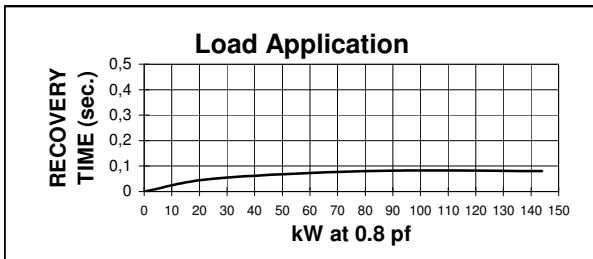
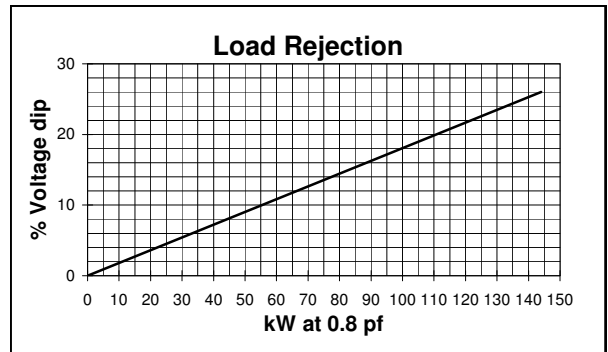
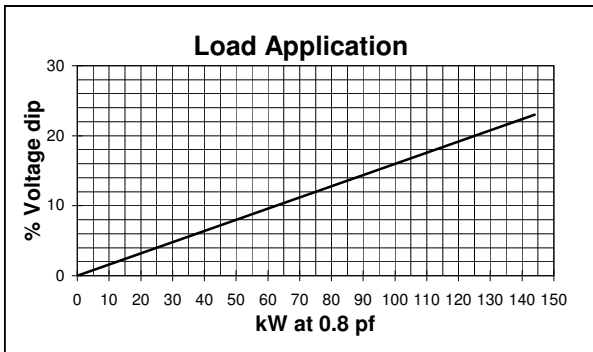
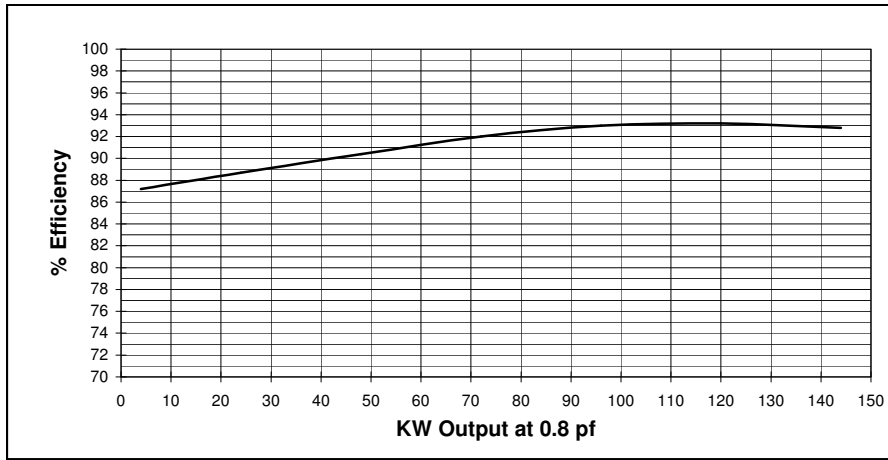
Document : DS199A/1
issue 001 date 10/04/2012

Electrical Characteristics			
Frequency	Hz		400
Voltage (star)	V		208
Rated power class H (125 °C)	kVA		180
	kW		144
Rated power class F (105 °C)	kVA		165
	kW		132
Rated power class B (80 °C)	kVA		145
	kW		116
Regulation with	UVR6/1-H400B	±1% with any power factor and speed variations between -5% +30%	
Insulation class		H	
Execution		Brushless	
Stator winding		12 ends	
Submittal Data : 208V, 145KVA, 2000RPM, 400Hz, 3 Phase			MIL-STD-705B
Efficiencies	4/4	%	92,8
(see graph. for details)	3/4	%	93
	2/4	%	90,4
	1/4	%	87,2
Reactances	Xd	p.u.	1,65
	Xd'	p.u.	0,20
	Xd''	p.u.	0,12
	Xq	p.u.	1,18
	Xq'	p.u.	1,18
	Xq''	p.u.	0,24
	X ₂	p.u.	0,15
	X ₀	p.u.	0,06
Short Circuit Ratio	Kcc		0,38
Time Constants	Td'	sec.	0,032
	Td''	sec.	0,01
	Tdo'	sec.	0,140
	Tα	sec.	0,12
Short Circuit Current Capacity		%	>300
Excitation at no load		Amp.	1,1
Excitation at full load		Amp.	2,4
Overload (long-term)		%	1 hour in a 6 hours period 110% rated load
Overload per 20 sec.		%	300
Stator Winding Resistance (20 °C)		Ω	0,00288
Rotor Winding Resistance (20 °C)		Ω	5,56
Exciter Resistance (20 °C)		Ω	Rotor : 0,682 Stator : 14,40
Heat dissipation		W	11250
Telephone Interference			FHT < 2% ; TIF < 100
Radio interference			EN61000-6-3 EN61000-6-1. For others standards apply to factory
Waveform Distors.(THD) at f. load		% LL	1,4
Individual harmonic max. at f. load		% LL	1,2
Insulation resistance		MΩ	> 2
High Potential Test		Volts	Main Stator : 2000 Main Rotor : 1500
		Volts	Exciter Stator : 1500 Exciter Rotor : 1500
Phase sequence			1 - 5 - 9
Mechanical characteristics			
Protection			IP 21 (other protection on request)
DE bearing			6318.2RS
NDE bearing			6314.2RS
Weight of complete generator		kg	837
Synchronous Speed		rpm	2000
Maximun overspeed		rpm	2500
Cooling air requirement		m ³ /min	41,5
Noise level at 1m/7m		dB(A)	87,5 / 74,5

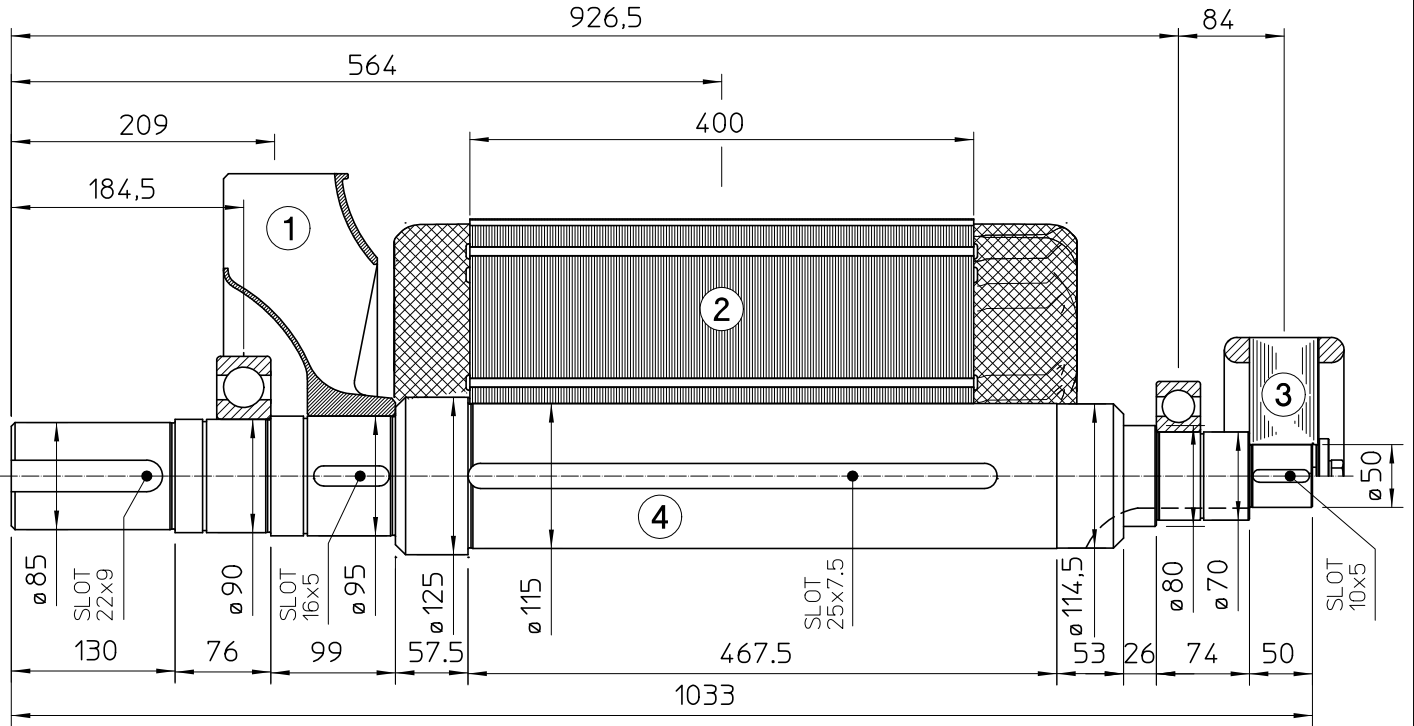
All technical data are to be considered as a reference and they can be modified without any notice.

This document is a propriety of Mecc Alte S.p.a..All rights reserved.

208V - 400Hz

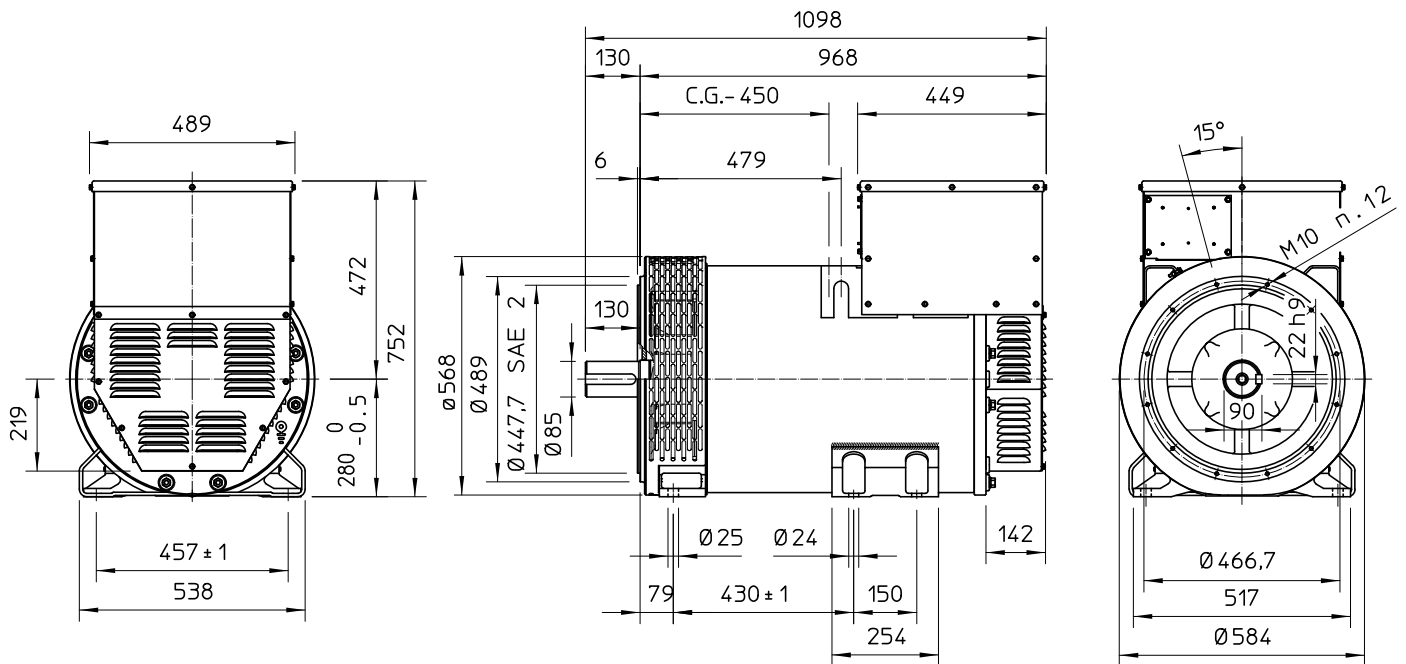


TWO BEARING MOMENTS OF INERTIA

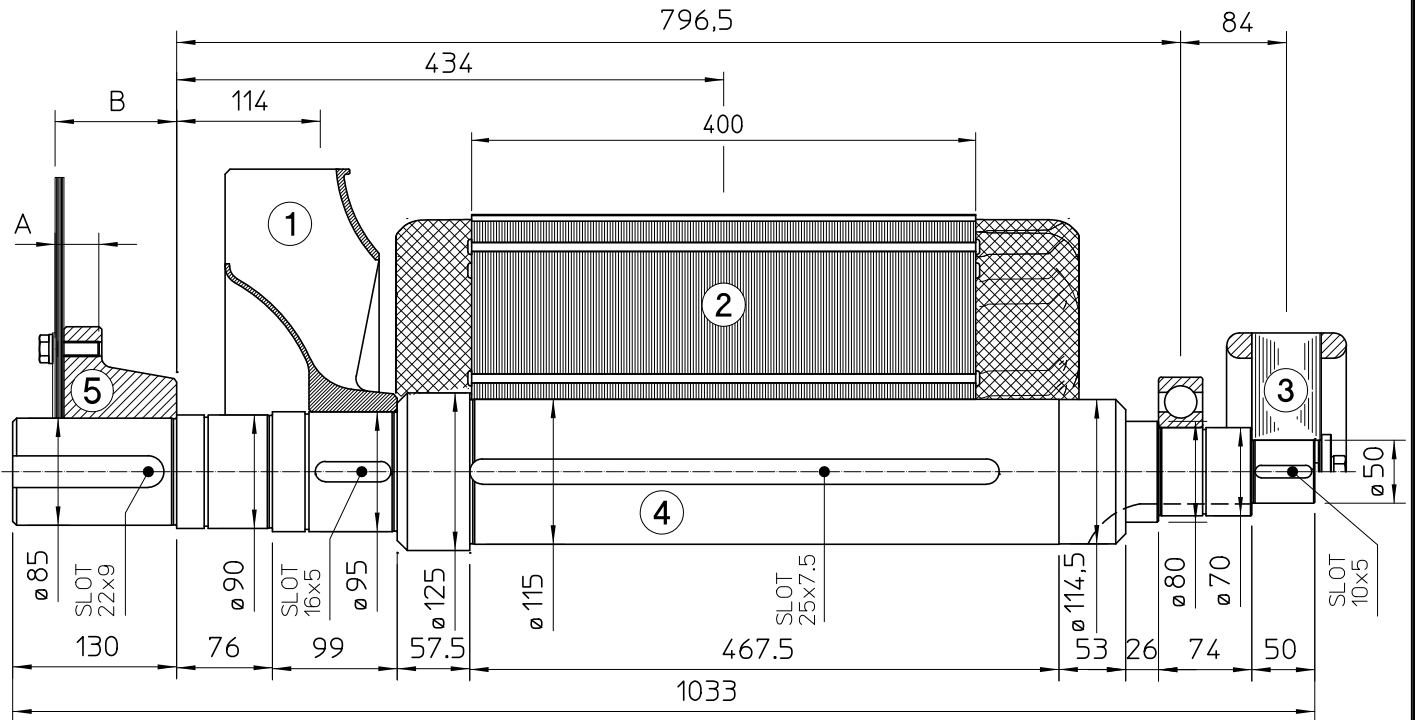


POS.	COMPONENT	WEIGHT (kg)	J (kgm ²)
1	FAN	6.1	0.1887
2	MAIN ROTOR	341.5	7.9015
3	EX. ROTOR	14.5	0.0874
4	SHAFT	66.3	0.0962
TOTAL		428.4	8.2738

TWO BEARING DIMENSIONS



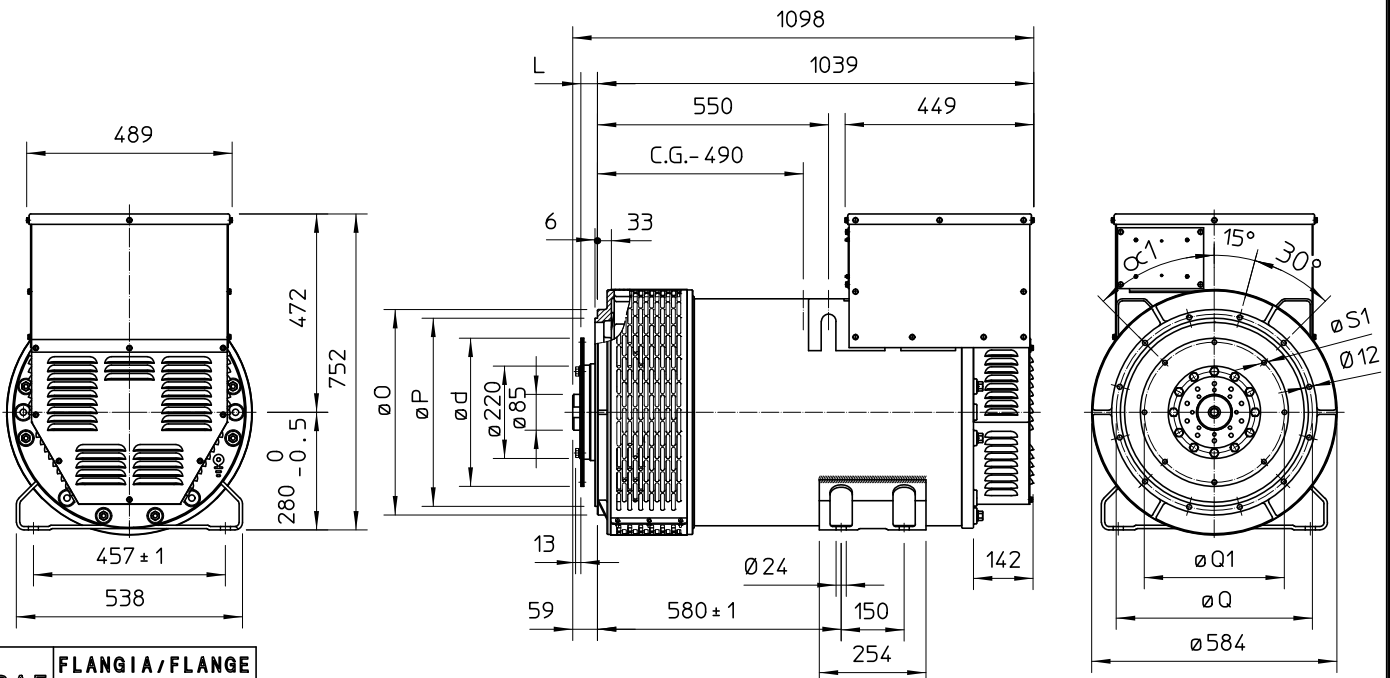
SINGLE BEARING MOMENTS OF INERTIA



POS.	COMPONENT	WEIGHT (kg)	J (kgm ²)
1	FAN	6.1	0.1887
2	MAIN ROTOR	341.5	7.9015
3	EX. ROTOR	14.5	0.0874
4	SHAFT	66.3	0.0962
TOTAL		428.4	8.2738

SAE N°	5 SHAFTS COUPLING FLEX PLATE			
	A	B	WEIGHT kg	J kgm ²
11.5	41.1	110.4	20.5	0.174
14	34.7	96.4	23.5	0.275

SINGLE BEARING DIMENSIONS



SAE N.	FLANGIA/FLANGE BRIDE/FLANSCH		
	O	P	Q
3	451	409,6	428,6
2	489	447,7	466,7
1	552	511,2	530,2
1/2	648	584,2	619,1

SAE N.	GIUNTI A DISCHI DISC COUPLING DISQUE DE MONOPALIER SCHEIBENKUPPLUNG				
	L	d	Q1	n. fori	S1 α1
11 1/2	39,6	352,4	233,37	8	11 45°
14	25,4	466,72	438,15	8	14 45°

C.G.= GRAVITY CENTER