



# meccalte

# ECO32

MECC ALTE INDIA PRIVATE LIMITED.  
Plot No.1, Gat No. 3363,3364,3365/Part, 3366/Part & 3367,  
Talegaon Dhamdhare S.O. Taluka Shirur, District Pune – 412208, INDIA  
Tel. : +91 2137-619600, Fax : +91 2137-619699  
e-mail : sales@meccalte.in web. : www.meccalte.com

## 4 POLE

### CHARACTERISTICS

#### INDUSTRIAL RATINGS

ambient 40°C

Type	kVA - cos $\Phi$ 0.8- 3 Phase continuous			EFFICIENCY-3 Phase continuous % CL.H ( T = 125°C)			1 Phase kVA-CL. H ( $\Delta T=125^{\circ}C$ ) Voltage 230V			
	CL. H ( $\Delta T = 125^{\circ}C$ )			2/4	3/4	4/4	Reconnectable 1 Phase		Dedicated 1 Phase	
Series star Y	380	400	415				2/4	3/4	4/4	COS $\Phi$ -1
Parallel Star YY	190	200	208							
Series Delta $\Delta$	220	230	240							
Parallel Delta $\Delta\Delta$	110	115	120							
ECO32-2S/4	35	35	35	86.8	88.6	88.2	24	21	30	27
ECO32-3S/4	42.5	42.5	42.5	87.3	89.1	88.6	28	25	33	30
ECO32-1L/4	50	50	50	87.6	89.5	89.1	33	30	40	36
ECO32-2L/4	60	60	60	89.5	90.8	90.3	40	36	50	45
ECO32-3L/4	70	70	70	89.8	91.2	90.8	45	41	55	50

Type	KVA - cos $\Phi$ 0.8- 3 Phase continuous			EFFICIENCY-3 Phase continuous % CL.H ( T = 125°C)			1 Phase kVA-CL. H ( T=125°C) Voltage 230V			
	CL. H ( $\Delta T = 125^{\circ}C$ )			2/4	3/4	4/4	Reconnectable 1 Phase		Dedicated 1 Phase	
Series star Y	440	460	480				2/4	3/4	4/4	COS $\Phi$ -1
Parallel Star YY	220	230	240							
Series Delta $\Delta$	254	265	277							
Parallel Delta $\Delta\Delta$	127	133	138							
ECO32-2S/4	42	42	42	89	90.2	89.8	28	25	36	32
ECO32-3S/4	51	51	51	89	90.6	90	33	30	40	36
ECO32-1L/4	60	60	60	89.1	92.1	91.8	40	36	50	45
ECO32-2L/4	68	72	72	91.1	93.3	92.9	48	43	60	54
ECO32-3L/4	80	84	84	91.2	93.5	93.3	56	50	66	59

#### STANDBY RATINGS (3-Phase)

Type	kVA Temp. Rise/Ambient°C			kVA Temp. Rise/Ambient°C		
	50 Hz			60 Hz		
	163°/27°	150°/40°	125°/27°	163°/27°	150°/40°	125°/27°
ECO32-2S/4	39	37	37	47	44	44
ECO32-3S/4	48	46	46	57	54	54
ECO32-1L/4	56	54	54	67	64	64
ECO32-2L/4	68	65	65	80	76	76
ECO32-3L/4	78	74	74	93	89	89

Type	J (Kgm <sup>2</sup> ) B3-B14 FORM	Weight (Kg)	Air Volume		Noise dB(A)			
			50 Hz (m <sup>3</sup> /min)	60 Hz (m <sup>3</sup> /min)	50 Hz		60 Hz	
					1m	7m	1m	7m
ECO32-2S/4	0,321	199	11,8	14,5	75	60	79	64
ECO32-3S/4	0,3494	214						
ECO32-1L/4	0,4227	248						
ECO32-2L/4	0,5043	282						
ECO32-3L/4	0,5718	298						

### ACCESSORIES

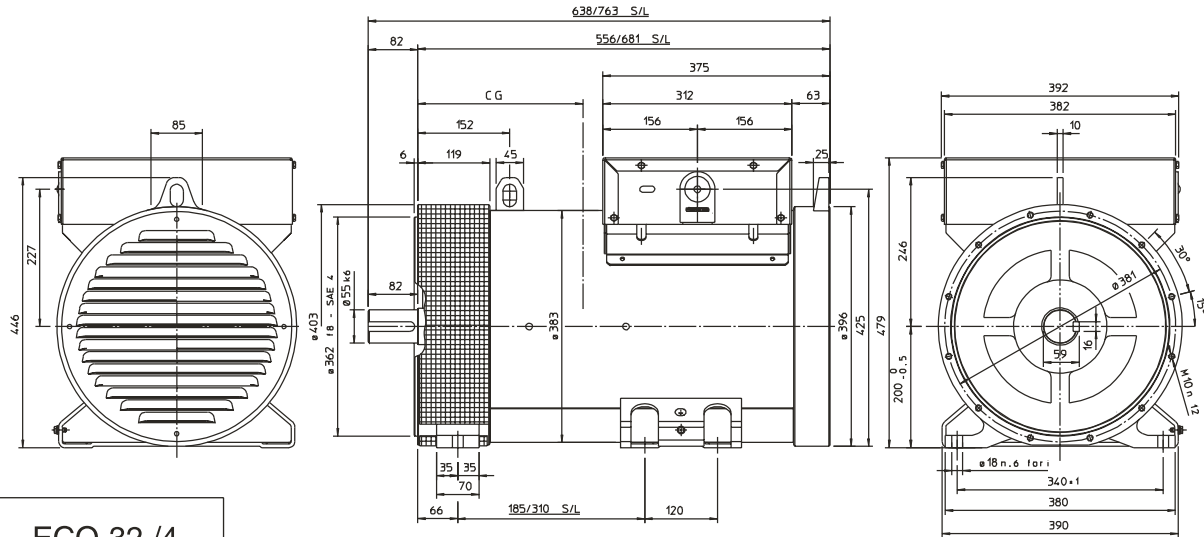
REGULATOR				PARALLEL DEVICE	THERMAL PROTECTION			HEATERS	MECHANICAL PROTECTION		
DSR	SR7/2	UVR6	DER		PTC	BIMET. DEVICE	PT100		IP21	IP23	IP45
●	□	□	□	□	□	□	□	●	□	□	

● = Standard  
□ = Optional

Rating

**DIMENSIONI D'INGOMBRO / OVERALL DIMENSIONS / ENCOMBREMENT / BAUMASSE / DIMENSIONES MAXIMAS  
FORMA B3 - B14 / B3 - B14 FORM / FORME B3 - B14 / FORM B3 - B14 / FORMA B3 - B14**

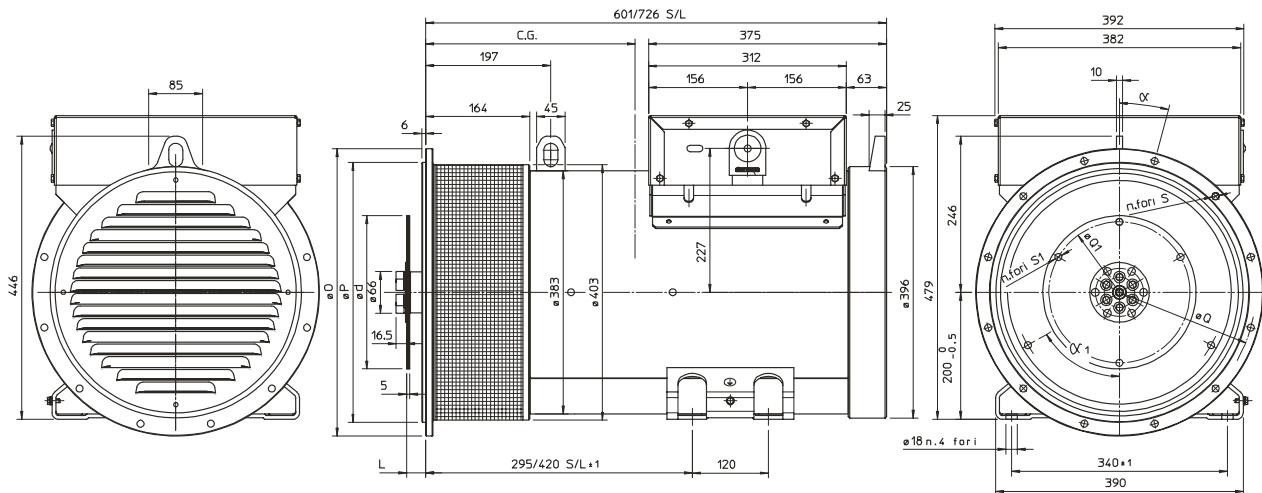
dimensions in mm



ECO 32 / 4	
TIPO / TYPE	C. G.
ECO 32-2S/4	272
ECO 32-3S/4	285
ECO 32-1L/4	311
ECO 32-2L/4	336
ECO 32-3L/4	355

**DIMENSIONI D'INGOMBRO / OVERALL DIMENSIONS / ENCOMBREMENT / BAUMASSE / DIMENSIONES MAXIMAS  
FORMA MD35 / MD35 FORM / FORME MD35 / FORM MD35 / FORMA MD35**

dimensions in mm



ECO 32 / 4	
TIPO / TYPE	C. G.
ECO 32-2S/4	296
ECO 32-3S/4	310
ECO 32-1L/4	335
ECO 32-2L/4	360
ECO 32-3L/4	381

SAE N.	GIUNTI A DISCHI DISC COUPLING DISQUE DE MONOPALIER SCHEIBENKUPPLUNG					
	L	d	Q1	n. fori	S1	α1
6 1/2	30,2	215,9	200	6	9	60°
7 1/2	30,2	241,3	222,25	8	9	45°
8	62	263,52	244,47	6	11	60°
10	53,8	314,32	295,27	8	11	45°
11 1/2	39,6	352,42	333,37	8	11	45°

SAE N.	FLANGIE FLANGE BRIDE FLANSCH BRIDAS					
	O	P	Q	n. fori	S	α
5	356	314,3	333,4	8	11	22° 30'
4	403	362	381	12	11	15°
3	451	409,6	428,6	12	11	15°
2	489	447,7	466,7	12	11	15°
1	552	511,2	530,2	12	11	15°