



GENERATOR TYPE HCP 34-2S/20

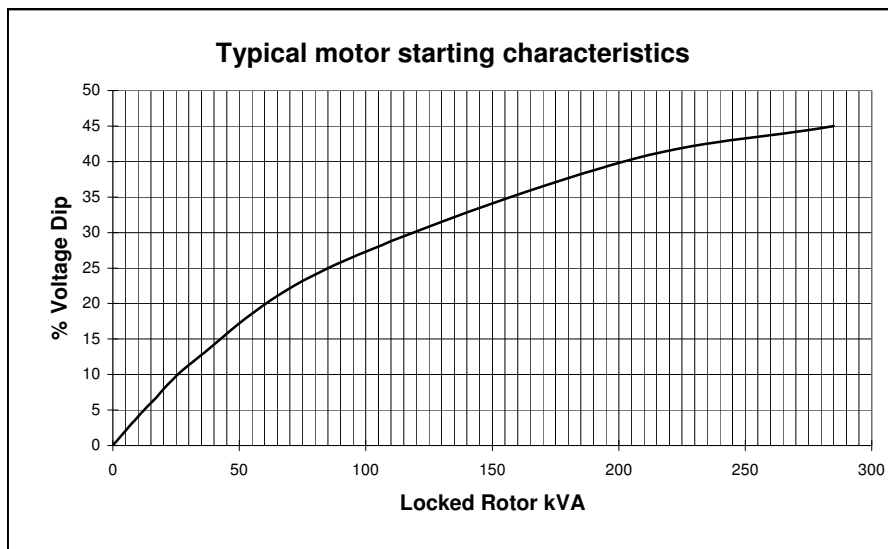
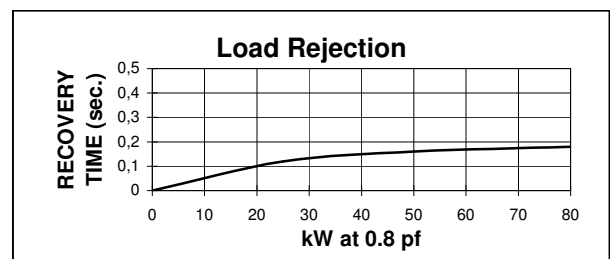
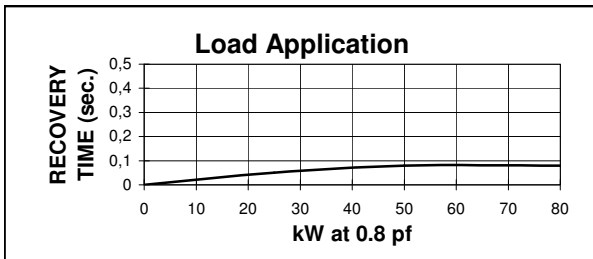
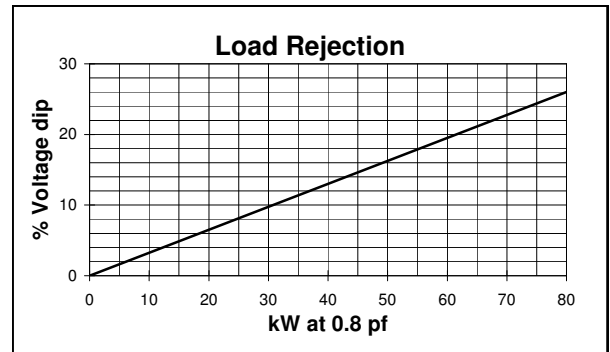
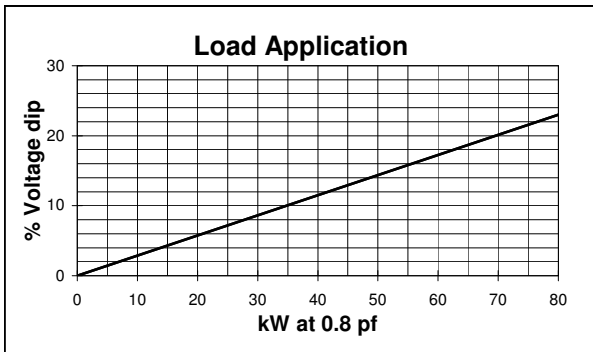
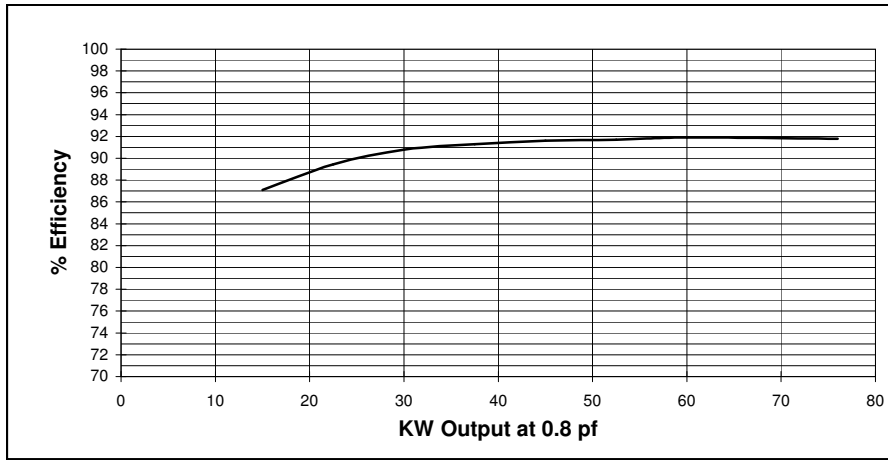
Document : DS130A/1
issue 001 date 14/02/2012

Electrical Characteristics			
Frequency	Hz		400
Voltage (star)	V		208
Rated power class H (125 °C)	kVA		95
	kW		76
Rated power class F (105 °C)	kVA		85
	kW		68
Rated power class B (80 °C)	kVA		75
	kW		60
Regulation with	UVR6/1-H400B	±1% with any power factor and speed variations between -5% +30%	
Insulation class		H	
Execution		Brushless	
Stator winding		12 ends	
Submittal Data : 208V, 75KVA, 2000RPM, 400Hz, 3 Phase			MIL-STD-705B
Efficiencies	4/4	%	91,9
(see graph. for details)	3/4	%	91,6
	2/4	%	90,8
	1/4	%	87,1
Reactances	Xd	p.u.	1,45
	Xd'	p.u.	0,18
	Xd''	p.u.	0,11
	Xq	p.u.	0,93
	Xq'	p.u.	0,93
	Xq''	p.u.	0,25
	X ₂	p.u.	0,16
	X ₀	p.u.	0,020
Short Circuit Ratio	Kcc		0,38
Time Constants	Td'	sec.	0,03
	Td''	sec.	0,01
	Tdo'	sec.	1,20
	Tα	sec.	0,09
Short Circuit Current Capacity		%	>300
Excitation at no load		Amp.	0,4
Excitation at full load		Amp.	2,2
Overload (long-term)		%	1 hour in a 6 hours period 110% rated load
Overload per 20 sec.		%	300
Stator Winding Resistance (20 °C)		Ω	0,024
Rotor Winding Resistance (20 °C)		Ω	4,075
Exciter Resistance (20 °C)		Ω	Rotor : 0,412 Stator : 15,18
Heat dissipation		W	6.610
Telephone Interference			FHT < 2% ; TIF < 100
Radio interference			EN61000-6-3 EN61000-6-1. For others standards apply to factory
Waveform Distors.(THD) at f. load		% LL	3,5
Individual harmonic max. at f. load		% LL	3
Insulation resistance		MΩ	> 2
High Potential Test		Volts	Main Stator : 2000 Main Rotor : 1500
		Volts	Exciter Stator : 1500 Exciter Rotor : 1500
Phase sequence			1 - 5 - 9
Mechanical characteristics			
Protection			IP 21 (other protection on request)
DE bearing			6314.2RS
NDE bearing			6311.2RS
Weight of complete generator		kg	345
Synchronous Speed		rpm	2400
Maximun overspeed		rpm	3000
Cooling air requirement		m ³ /min	28
Noise level at 1m/7m		dB(A)	88 / 74

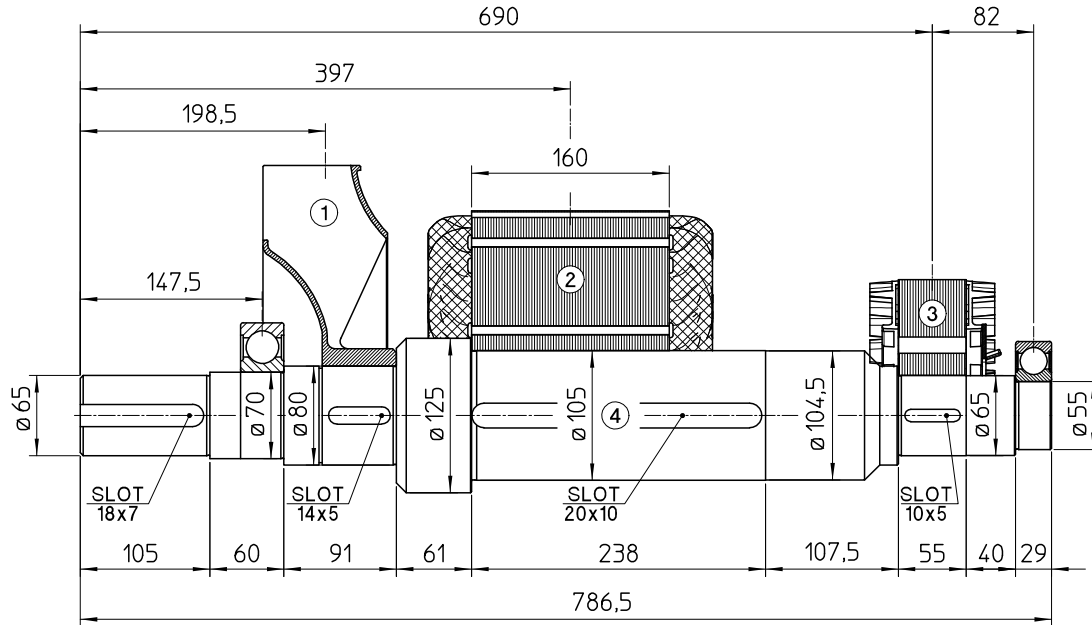
All technical data are to be considered as a reference and they can be modified without any notice.

This document is a propriety of Mecc Alte S.p.a..All rights reserved.

208V - 400Hz

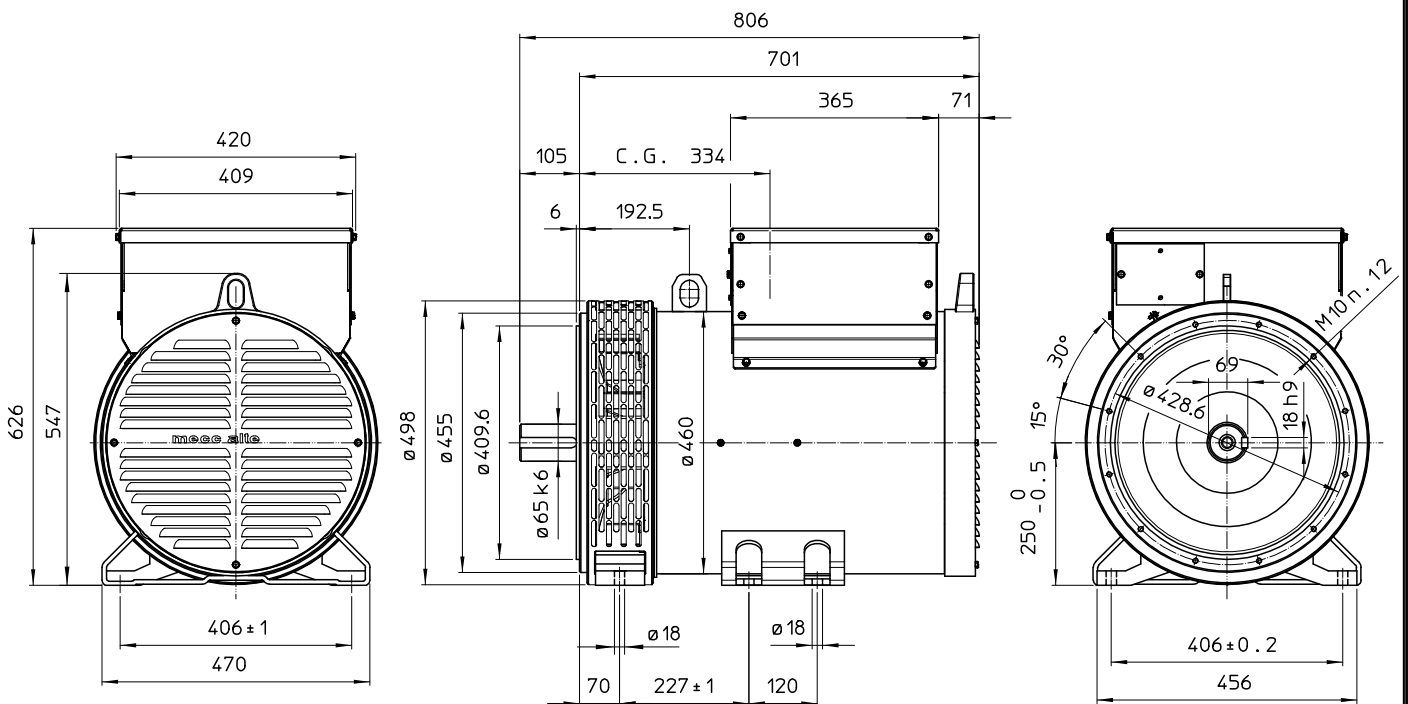


TWO BEARING MOMENTS OF INERTIA



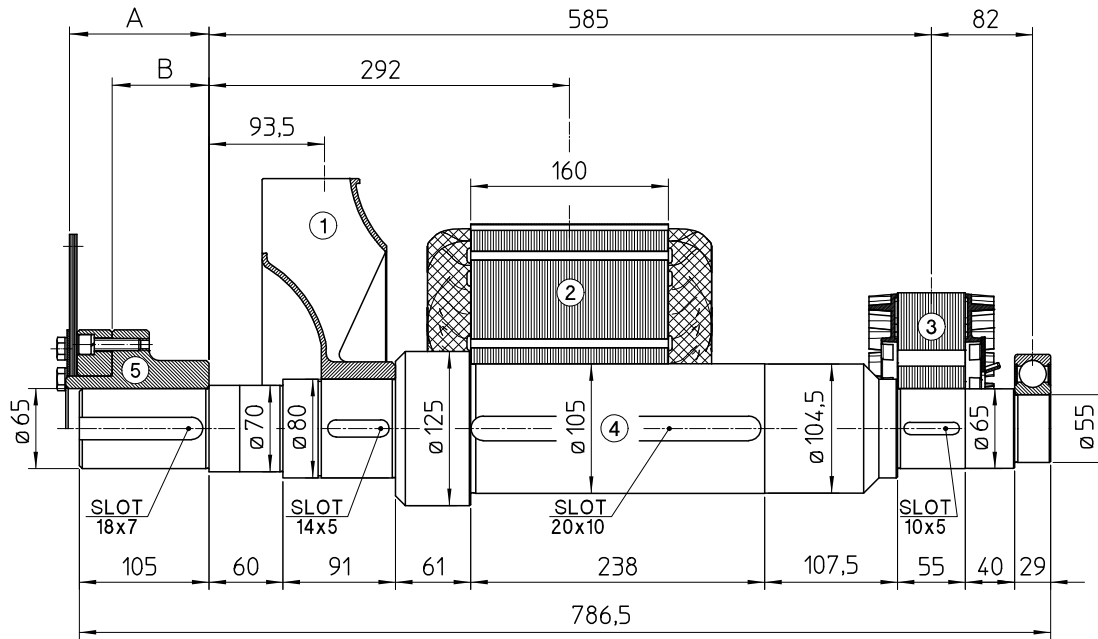
POS.	COMPONENT	WEIGHT (kg)	J (kgm ²)
1	FAN	3.6	0.0621
2	MAIN ROTOR	89.9	1.3829
3	EX. ROTOR	14.5	0.0874
4	SHAFT	38.8	0.0476
TOTAL		146.8	1.58

TWO BEARING DIMENSIONS



C.G.= GRAVITY CENTER

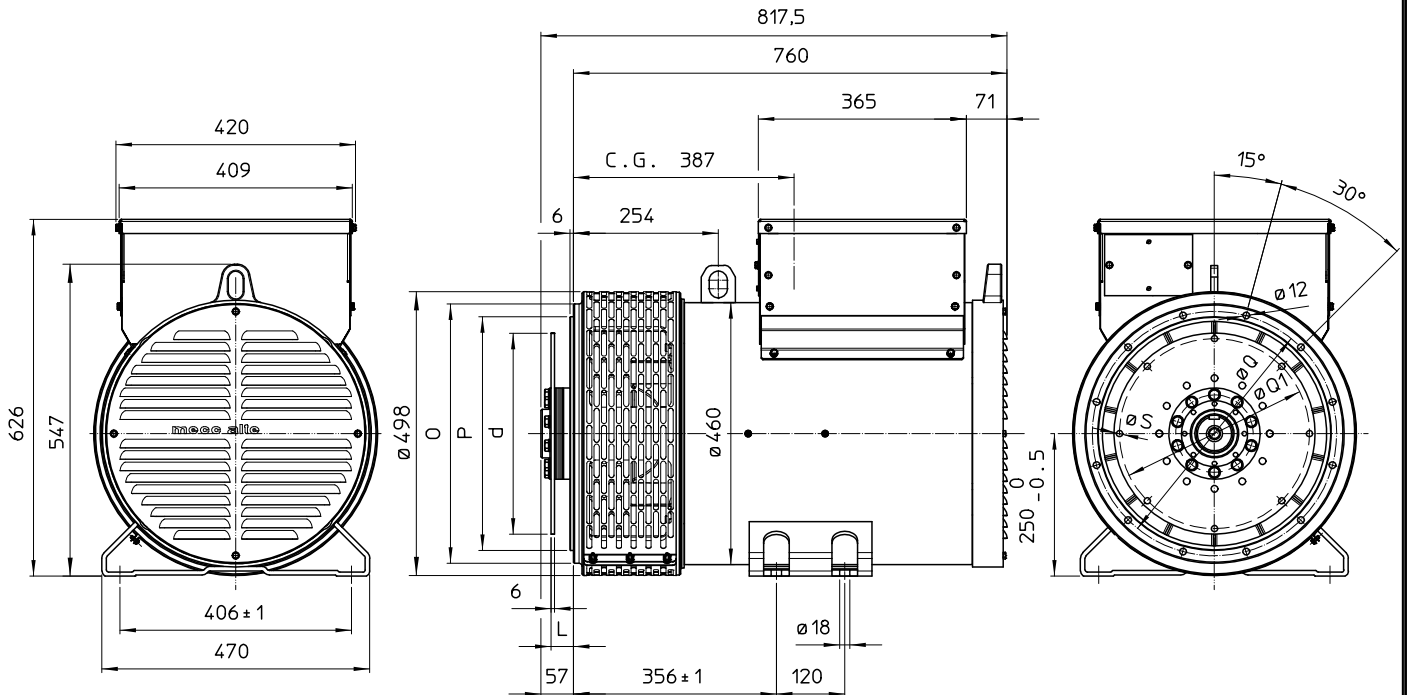
SINGLE BEARING MOMENTS OF INERTIA



POS.	COMPONENT	WEIGHT (kg)	J (kgm ²)
1	FAN	3.6	0.0621
2	MAIN ROTOR	89.9	1.3829
3	EX. ROTOR	14.5	0.0874
4	SHAFT	38.8	0.0476
TOTAL		146.8	1.58

POS.	COMPONENT	SAE N°	A	B	WEIGHT (kg)	J (kgm ²)
5	SHAFTS COUPLING FLEX PLATE	10	112.8	77.2	13.5	0.0770
		11 1/2	98.4	71.5	12.4	0.0956
		14	84.4	68.6	14.8	0.2360

SINGLE BEARING DIMENSIONS



SAE N°	FLANGE		
	O	P	Q
3	451	409.6	428.6
2	489	447.7	466.7
1	552	511.2	530.2

SAE N°	DISC COUPLING			
	L	d	Q1	S
10	53.8	314.32	295.27	11
11 1/2	39.6	352.42	333.37	11
14	25.4	466.72	438.15	14

C.G.= GRAVITY CENTER